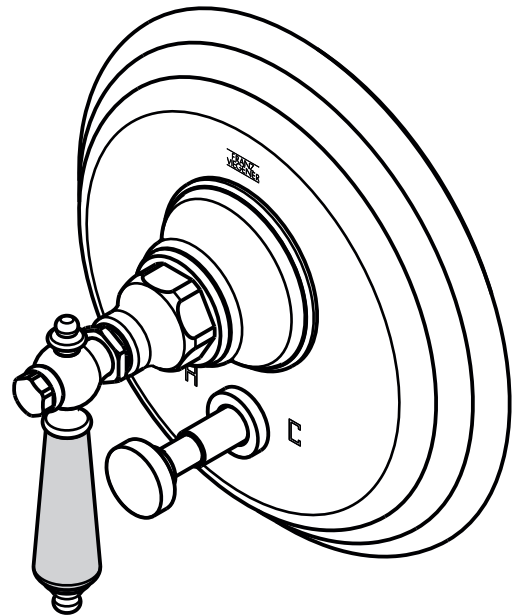


Revere Wood FV114/58W.0

Features

- . All brass construction
- . Lever handle
- . Diverter included

Pressure balance trim.



Colors/Finishes

- | | | | |
|-----------------------------|-----------------------------|-----------------------------|------------------------------|
| <input type="checkbox"/> PC | <input type="checkbox"/> BN | <input type="checkbox"/> PN | <input type="checkbox"/> ORB |
|-----------------------------|-----------------------------|-----------------------------|------------------------------|

