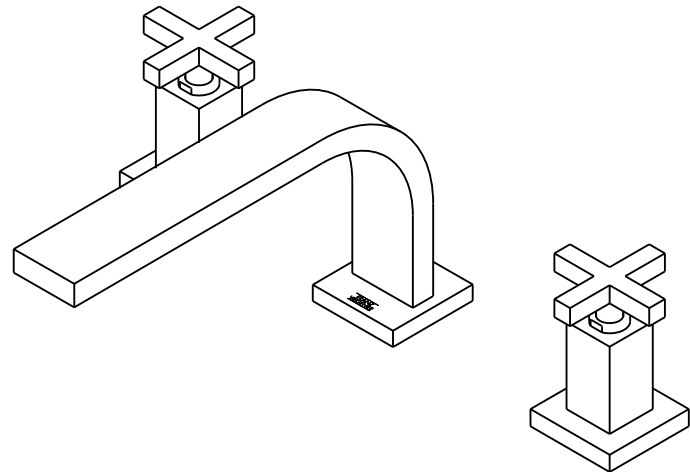


Features

- . All brass construction
- . Brass valve bodies
- . Quarter-turn ceramic cartridges
- . Stationary spout with recessed laminar device
- . 10" spout reach

Roman tub Faucets.



Colors/Finishes			
<input type="checkbox"/> PC	<input type="checkbox"/> BN	<input type="checkbox"/> PN	<input type="checkbox"/> ORB

